

T20 Hybrid Hand Pallet Truck Terminator

How would T20 change the game?

Hydraulic Pump
Manual Lifting, **NO DOWNTIME**

Smart Handle
Turtle speed mode, A single touch for VNA, **High maneuverability**

Li-Ion Battery
48V10Ah capacity, economic and efficient **2000** cycles with **80%** residual capacity

Hybrid Driving
Brushless motor, Higher efficiency and performance, **Free Maintenance**

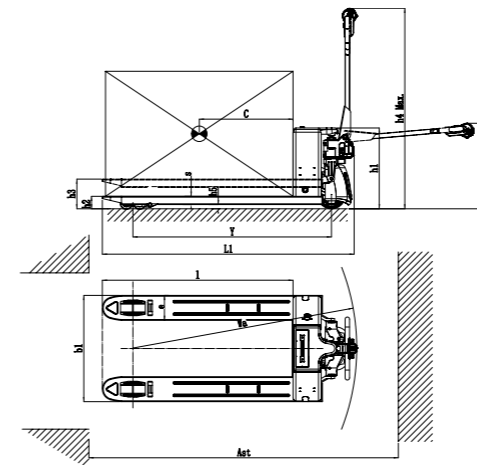
Reinforced Fork
Super robust structure, Full loop enhancement

Patented ClutchTechnology, Electric/Manual convertible **NO DOWNTIME**

Specifications

T20 Semi-Electric Pallet Truck Parameter and Performance

1	Manufacturer		Microlift
2	Model		T20
3	Drive		Electric / Manual
4	Lift		Manual
5	Operator type		Walkie
6	Load Capacity	Q	2000kg (4400lbs)
7	Load Center	C	600mm (24")
8	Wheelbase	Y	1202mm/1272mm (47.3"/50.1")
9	Service Weight		135/140kg (297/308lbs)
10	Overall Height	h1	517mm (20.4")
11	Fork Height (Lowered)	h2	80mm (3.15")
12	Lift Height	h3	200mm (8")
13	Tiller Arm Height	h4	560mm~1280mm (22"~50.4")
14	Ground Clearance	h5	27mm (1.1")
15	Overall Length	L1	1546mm/1616mm (60.8"/63.6")
16	Overall Width	b1	540mm/680mm (21"/27")
17	Fork Size	L	1150mm/1220mm (45"/48")
		S	53mm (2.1")
		e	160mm (6.3")
18	Turning Radius (Min.)	Wa	1352mm/1422mm (53.2"/56")
19	Aisle width for pallets 1000x1200 crossways	AST	1980mm (78")
20	Aisle width for pallets 800x1200 crossways	AST	1880mm (74")
21	Drive Motor		0.75kw Brushless
22	Travel Speed (laden/unladen)		4.5/4.8km/h (2.8/3.0mph)
23	Max. Gradeability (laden/unladen)	%	10%/20%
24	Brake Service		Electromagnetic
25	Lift Motor		N/A
26	Controller Manufacturer/Type		MICROLIFT i50
27	Battery Voltage/Capacity	V/Ah	48V/10Ah Li-ion
28	Charger	A	48V/5A



Remarks: Zhejiang Microlift Electric Technology Co., Ltd reserves the right to make any changes without notice concerning specifications detailed in this brochure.

Highlights of T20:

- ▶ High Cost Performance
- ▶ Electric/manual mode switch, **NO DOWNTIME**
- ▶ AC Brushless Motor, **FREE MAINTENANCE**
- ▶ Full load 10% gradeability, great performance
- ▶ Fork marks help easy positioning of 800mm/1000mm/1200mm pallets

